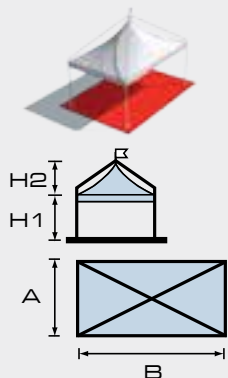
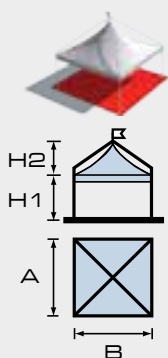




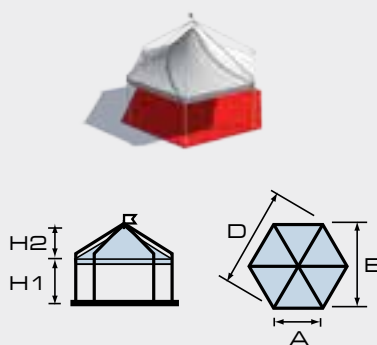
Leader

DIMENSIONS

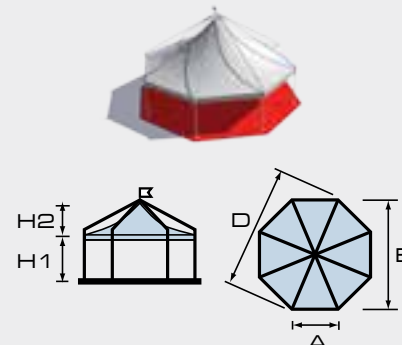
Leader 4



Leader 6

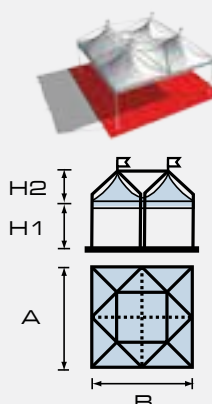
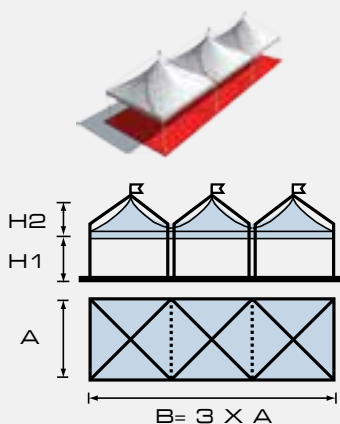
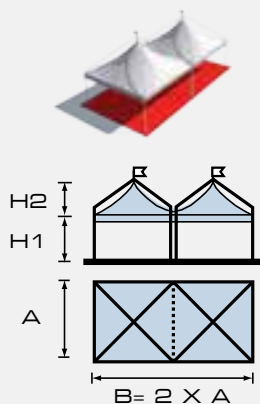


Leader 8



A=B (cm)	H1 (cm)	H2 (cm)	AREA (m ²)	A (cm)	B (cm)	H1 (cm)	H2 (cm)	AREA (m ²)	A (cm)	H1 (cm)	H2 (cm)	D (cm)	E (cm)	AREA (m ²)	A (cm)	H1 (cm)	H2 (cm)	D (cm)	E (cm)	AREA (m ²)
300	*	150	9,00	300	400	*	170	12,00	300	*	200	600	520	23,40	300	*	250	785	725	43,50
400	*	190	16,00	300	500	*	195	15,00	400	*	255	800	690	41,50	400	*	330	1045	965	77,50
500	*	230	25,00	300	600	*	220	18,00	500	*	305	1000	865	65,00						
600	*	270	36,00	400	500	*	210	20,00												
				400	600	*	235	24,00												
				500	600	*	250	30,00												

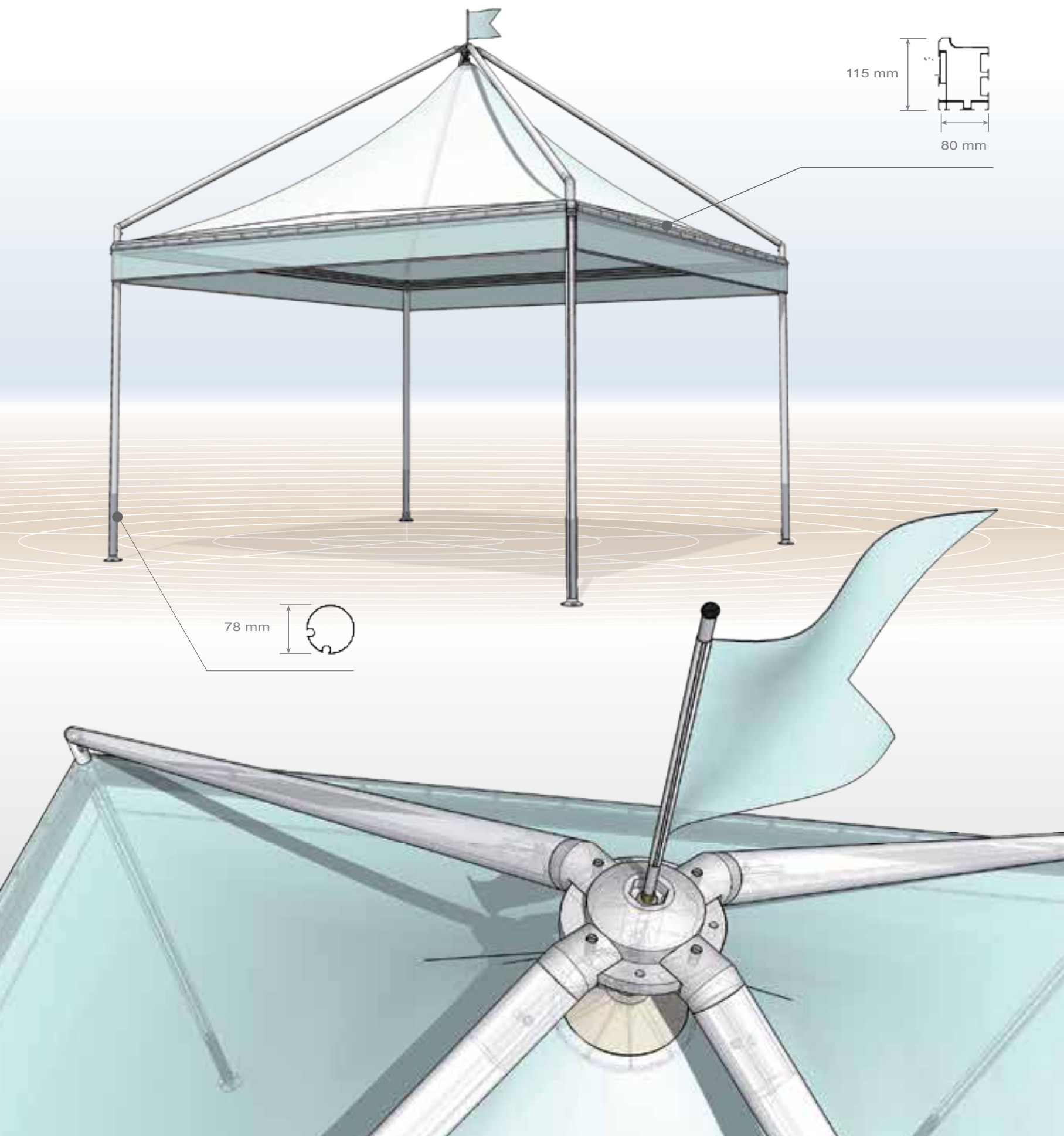
Leader MULTI



A (cm)	B (cm)	H1 (cm)	H2 (cm)	AREA (m ²)	A (cm)	B (cm)	H1 (cm)	H2 (cm)	AREA (m ²)	A=B (cm)	H1 (cm)	H2 (cm)	AREA (m ²)
300	600	*	150	18,00	300	900	*	150	27,00	700	*	170	49,00
400	800	*	190	32,00	400	1200	*	190	48,00				
500	1000	*	230	50,00	500	1500	*	230	75,00				
600	1200	*	270	72,00	600	1800	*	270	108,00				

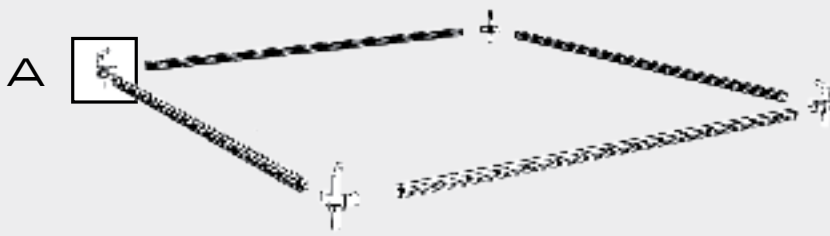
* = The tent is supplied with static calculations for a max eave height of 300 cm.

TECHNICAL DETAILS

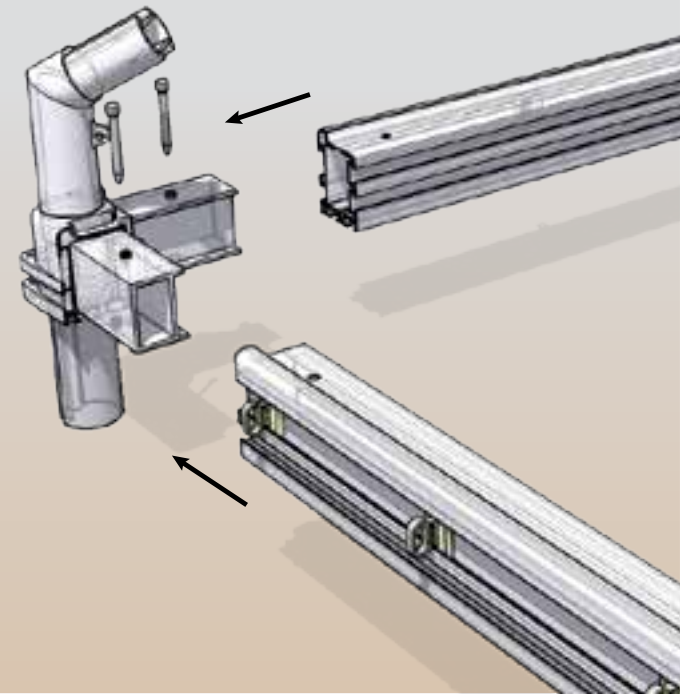


ASSEMBLY

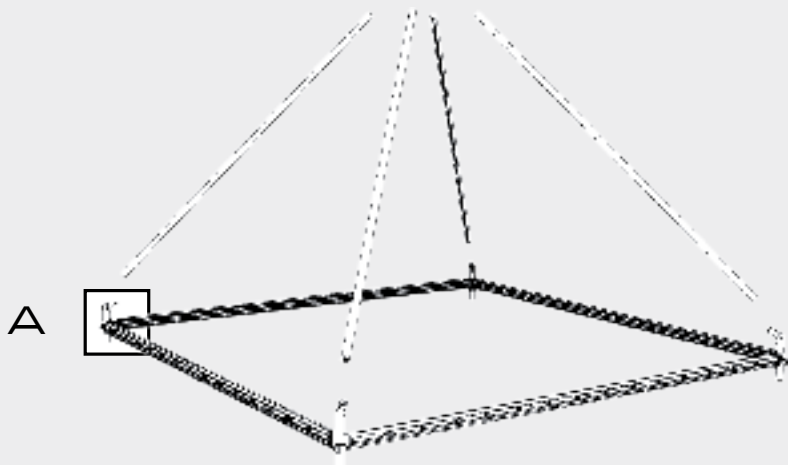
1



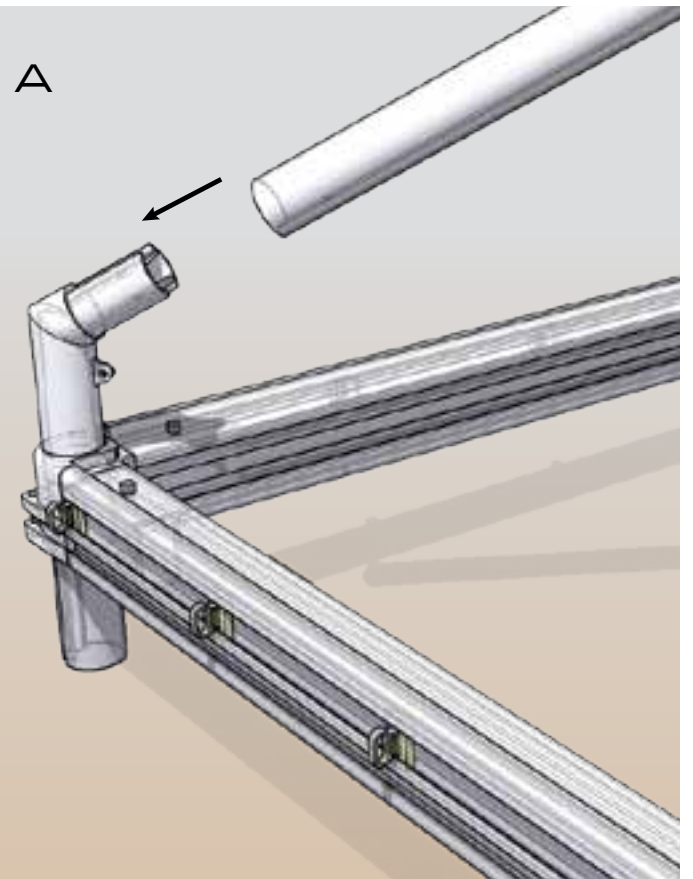
A



2

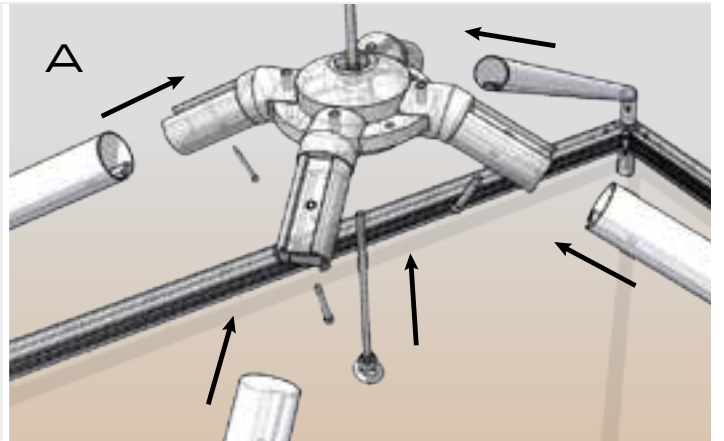
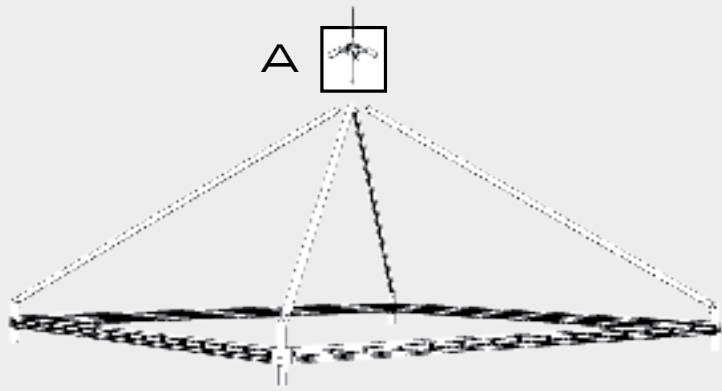


A

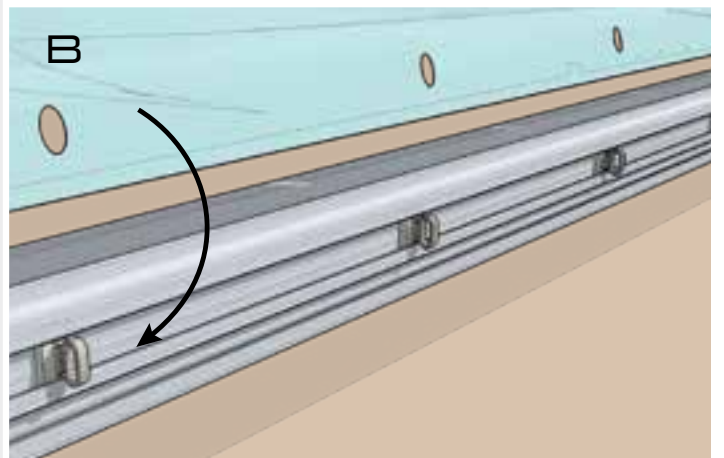
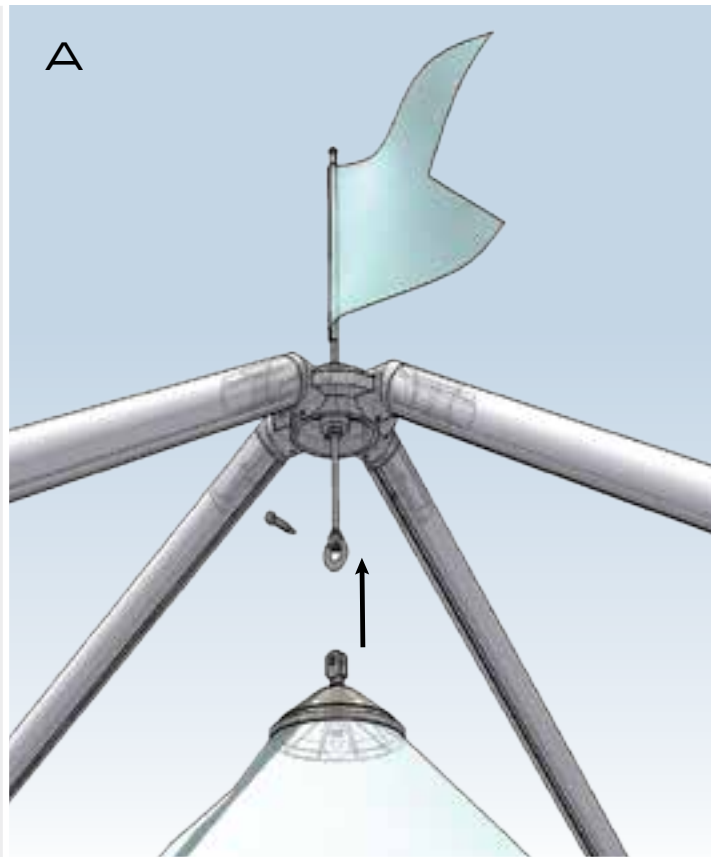
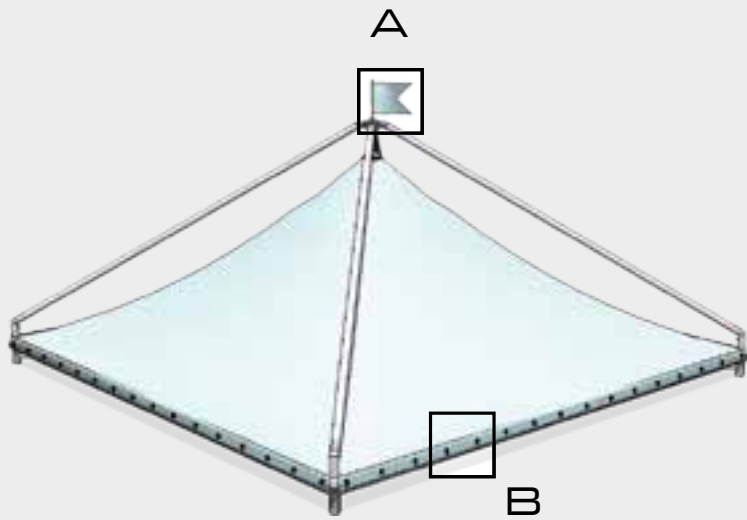


ASSEMBLY

3

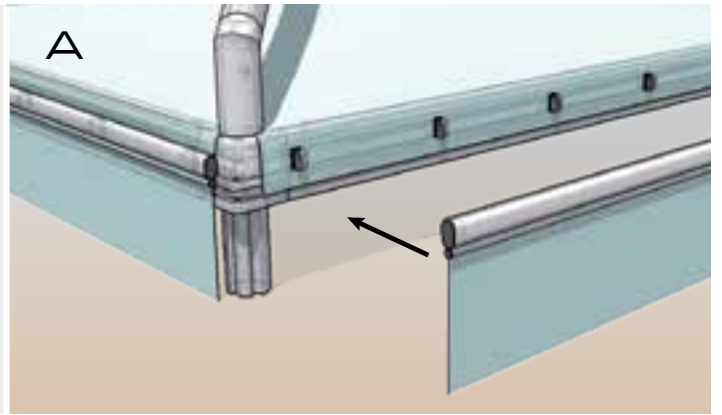
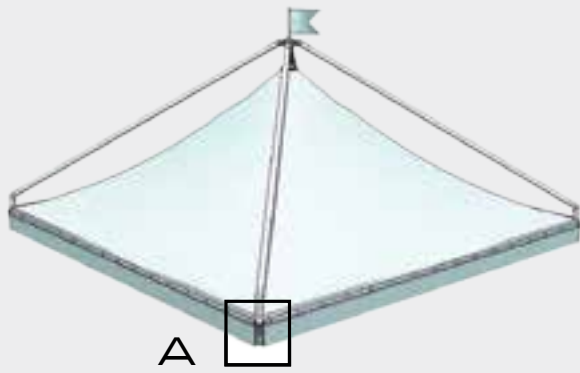


4

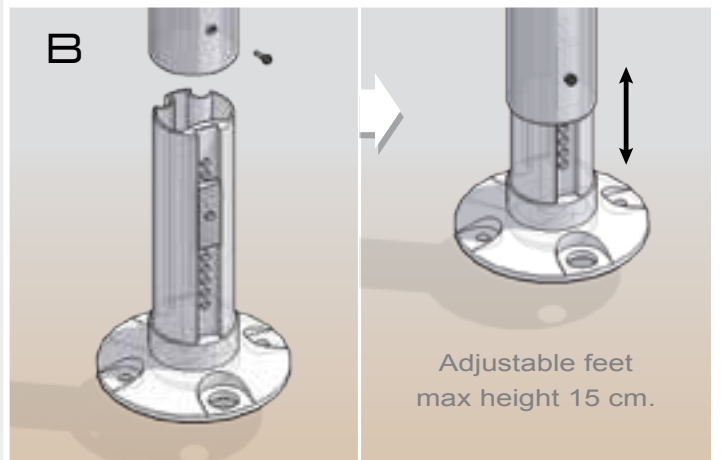
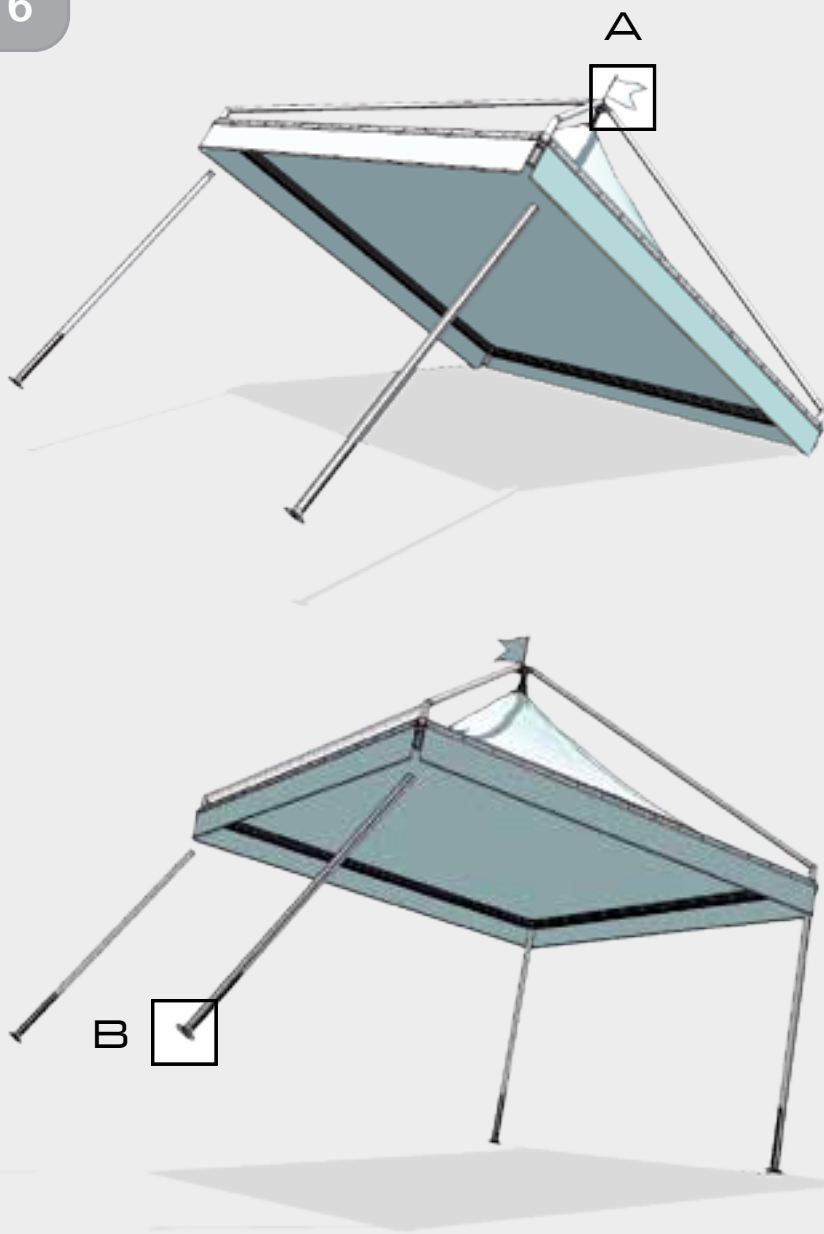


ASSEMBLY

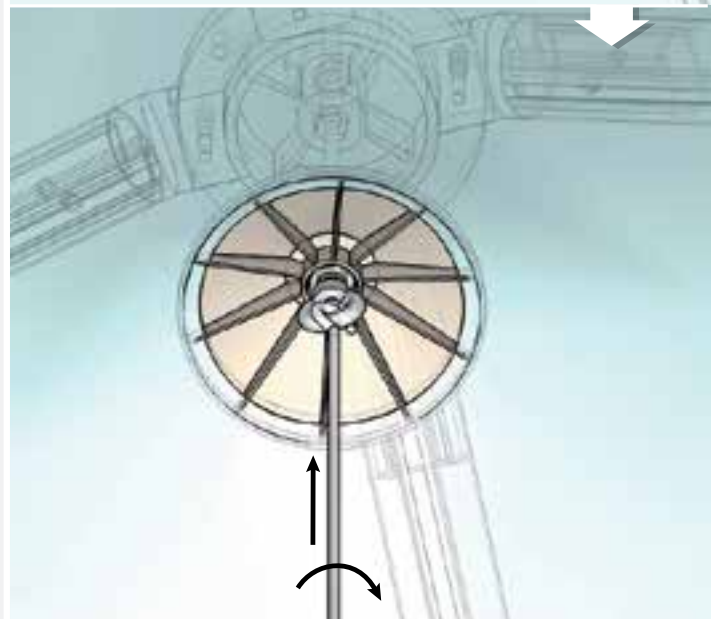
5



6

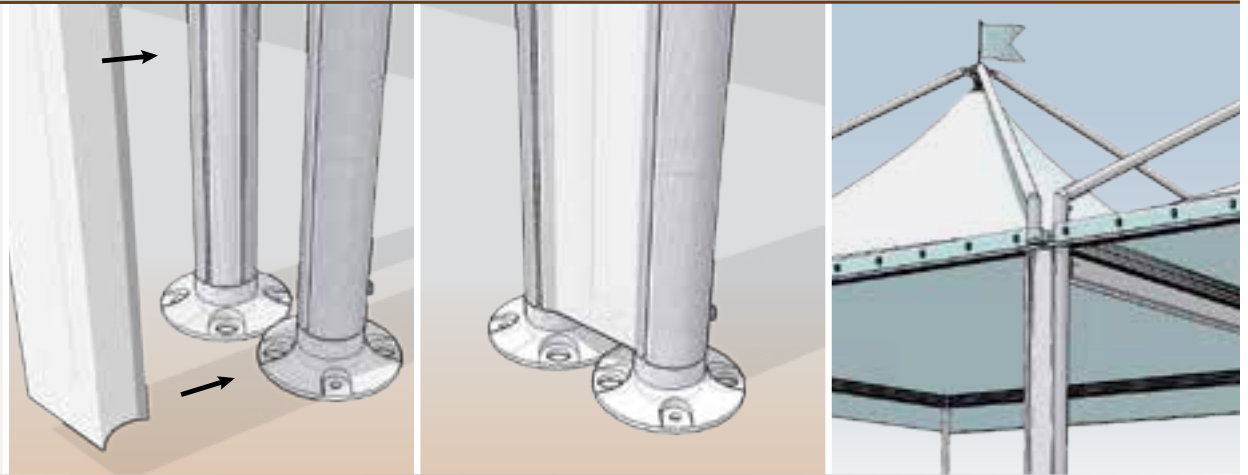
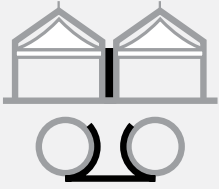


7

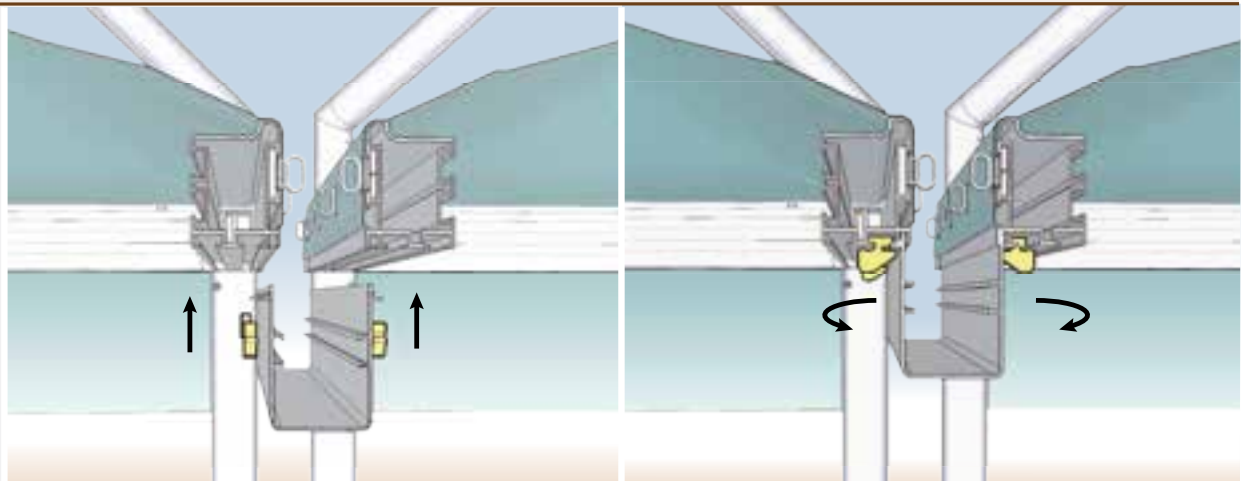
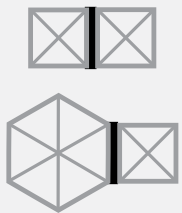


OPTIONS - FRAME

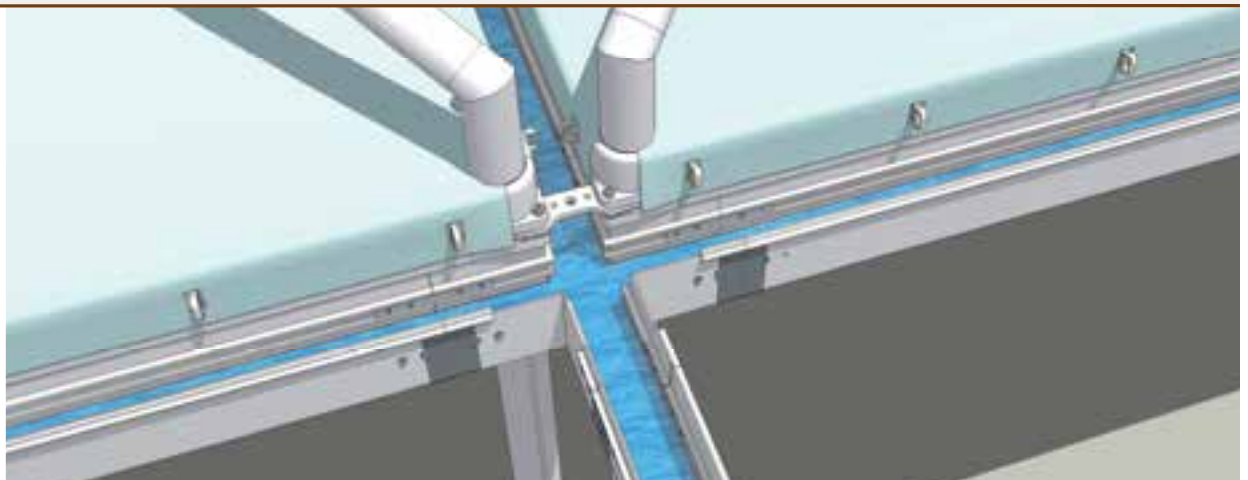
JUNCTION FILLER



KIT FOR MODULES' CONNECTION



CENTRAL JOINT







Giulio Barbieri S.r.l.

www.giuliobarbieri.it

Via Ferrara, 41

44028 Poggio Renatico (FE) - Italy

info@giuliobarbieri.it

Tel. (+39) 0532 821511

Fax (+39) 0532 821555

